

DEWALT

VERSATILITY MEETS PERFORMANCE

DCD803B ATOMIC™ 20V MAX* BRUSHLESS MULTI-HEAD DRILL/DRIVER (TOOL ONLY)

Take on a variety of applications in hard-to-reach spaces with the ATOMIC™ 20V MAX* Brushless Cordless Multi-Head Drill/Driver (battery and charger sold separately). With 4 versatile attachments including a 1/2 in. Metal Chuck Attachment, a 1/4 in. Hex Right Angle Attachment, a 1/4 in. Hex Quick Release Offset Attachment, and a 1/4 in. Hex Quick Release Attachment, this compact tool features a drop-in load mechanism that allows users to efficiently connect attachments to complete a variety of applications.



Depicted use is for illustrative purposes only. Always follow manufacturer's operation instructions and warnings.

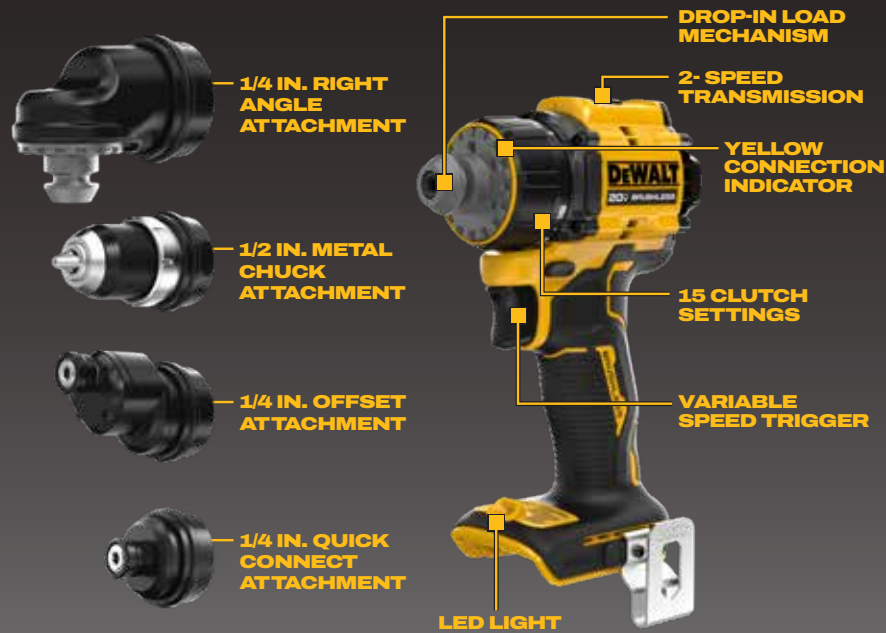
20V^{MAX*}
BRUSHLESS

ATOMIC
COMPACT SERIES™

*Maximum initial battery voltage (measured without a workload) is 20 volts. Nominal voltage is 18.

DCD803BSS

ATOMIC™ 20V MAX* BRUSHLESS MULTI-HEAD DRILL/DRIVER (TOOL ONLY)



Reach Tough Areas - Attachments can be individually used (one at a time) on the Right Angle Attachment



Quick Connection - Switch between applications quickly and easily with included attachments

*Maximum initial battery voltage (measured without a workload) is 20 volts. Nominal voltage is 18.
**Based on using DCB205 battery (sold separately).

SPECIFICATION

MAX POWER	569 MWO**
NO LOAD SPEED (WITHOUT ATTACHMENTS)	0-450 / 0-1650 RPM
TOOL WEIGHT (WITHOUT ATTACHMENTS)	2.15 lbs.
TOOL HEAD LENGTH (WITHOUT ATTACHMENTS)	4.91 in.
TOOL WIDTH	2.48 in.

INCLUDES

DCD803B

- (1) DCD803 ATOMIC 20V MAX* Multi-Head Drill/Driver
- (1) 1/2 in. Metal Chuck Attachment
- (1) 1/4 in. Right Angle Attachment
- (1) 1/4 in. Offset Attachment
- (1) 1/4 in. Quick Connect Attachment
- (1) Organizer
- (2) Belt Hooks



WARRANTY

TOOL WARRANTY

3 YEAR	1 YEAR	90 DAY
LIMITED WARRANTY	FREE SERVICE	MONEY BACK GUARANTEE

RELATED PRODUCTS

DCF850P1

ATOMIC™ 20V MAX* Brushless Cordless 3-Speed 1/4 in. Impact Driver Kit



DCD799P1

ATOMIC™ 20V MAX* Brushless Cordless 1/2 in. Hammer Drill Kit

